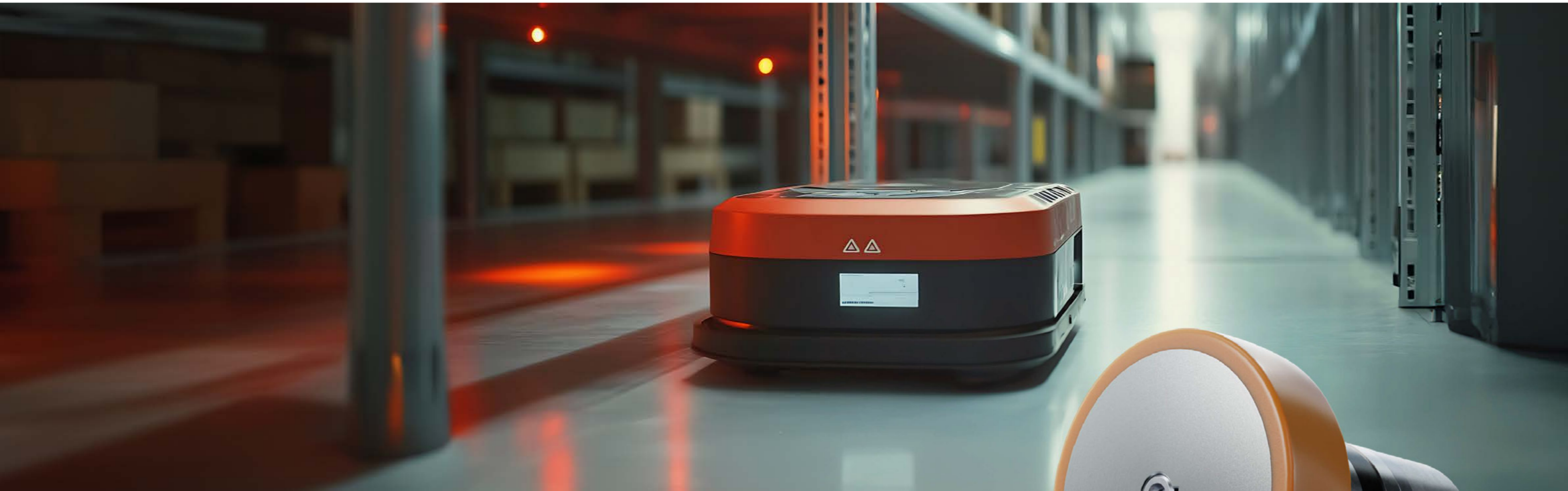


Our new mini Drive. Next level compact.



compact.
complete.
eWheel.

b-drives mini Drive

b-drives is proud to present the latest addition to our family of AGV/AMR drive solutions: the b-drives mini Drive

Highly compact and extremely cost efficient the mini Drive is the perfect drive solution for lighter AGVs/AMRs and vehicles with reduced safety requirements.

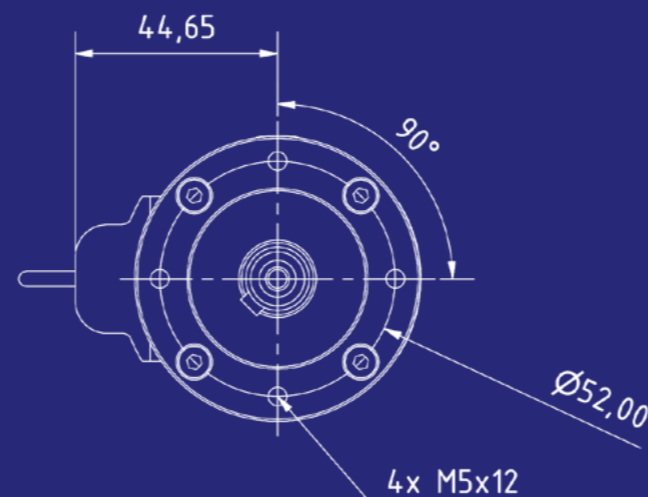
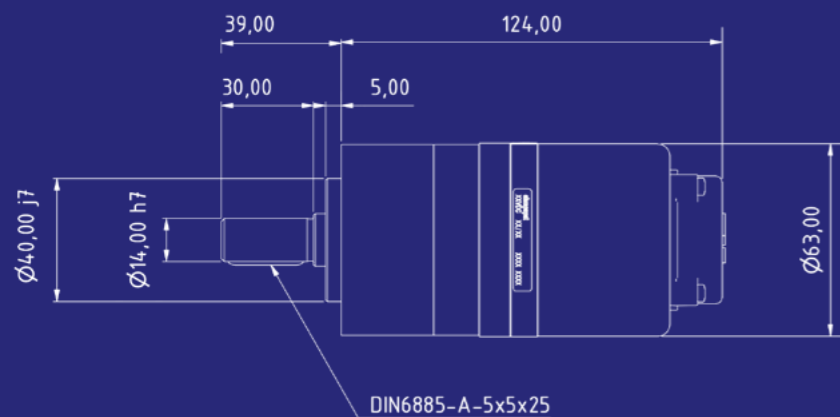
The b-drives mini Drive offers up to 125 W (at 48V), hallsensors, encoder and a highly efficient planetary gearbox at a length of only 124mm. With diameter of only 63mm the mini Drive will fit in even the smallest vehicles.

- highly compact
- highly cost efficient
- halls, encoder, planetary gearbox
- 125 W on 124mm

Motor	Value
Type	BLDC 14 poles
Nominal power	100 to 125 W
Nominal voltage	24 or 48V
Overload factor	3
Nominal speed	4000 rpm
Sensor	3x Hall sensors with open collector
Encoder	1024 ppr
Connector	500mm wire

Gear box	Value
Type	Planetary gear box
Ratio	10:1
Lubrication	Grease (life time)
Radial loads	450 N

Combination	Value
Nominal Torque	2,3 Nm
Maximum Torque	6,5 Nm
Lifetime L10	>30.000h
Protection class	IP54
Output speed	400 rpm
AGV speed (Dwheel=80mm)	1,7 m/s
AGV speed (Dwheel=140mm)	3,0 M/s



b-drives mini Drive



[b-drives.com](https://www.b-drives.com)

b-drives GmbH

Gutenbergstraße 17
21465 Reinbek
www.b-drives.com
info@b-drives.com

T +49 40 / 53 80 92 - 430
F +49 40 / 53 80 92 - 84

Geschäftsführer:
Dipl.-Ing. Reinhard Breuell,
Ing. Dirk Kahl

Amtsgericht Lübeck HRB 19830
USt. -IdNr.: DE 322 841 014
Steuer-Nr. 50/706/01135



Axel Schwab
Business Development
+49 172 63 89 150
schwab@b-drives.com

[Send e-mail](mailto:schwab@b-drives.com)



Robert Nohr
Project Engineer Sales
+49 172 769 25 71
nohr@b-drives.com

[Send e-mail](mailto:nohr@b-drives.com)